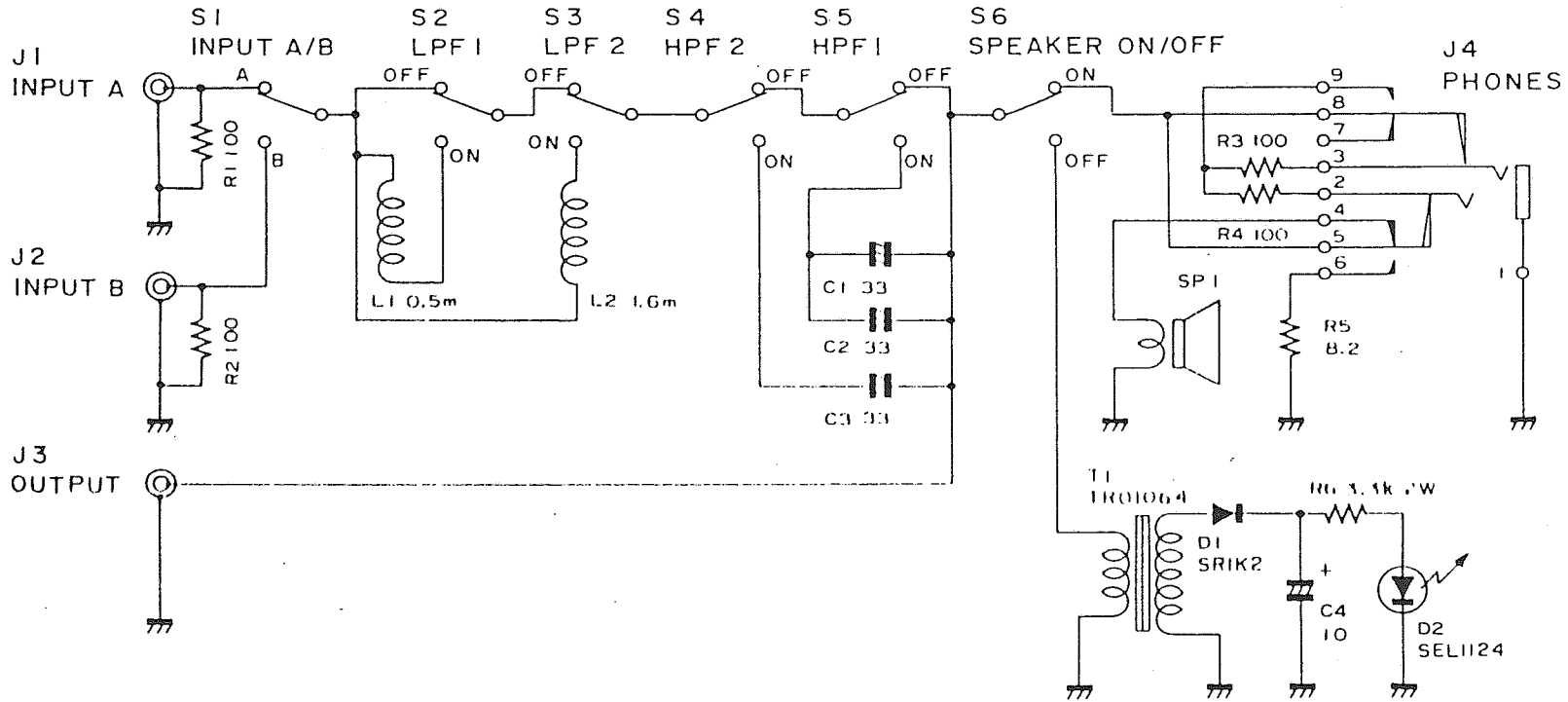


SCHEMATIC DIAGRAM



grade quality, some components may be subject to change without notice.

SP 20 Speaker

ICOM INCORPORATED
 1-6-19, KAMIKURATSUKURI, HIRANO-KU
 OSAKA 547, JAPAN

Printed in Japan